

Featuring the  
GLI Approved ARK-65  
6-Seat Gaming Cabinet

**GamingArts**<sup>®</sup>

*in association with*

**JUMBO**  
**TECHNOLGY CO., LTD**  
*present*



***An Entirely NEW Gaming Experience  
for the North American Market***



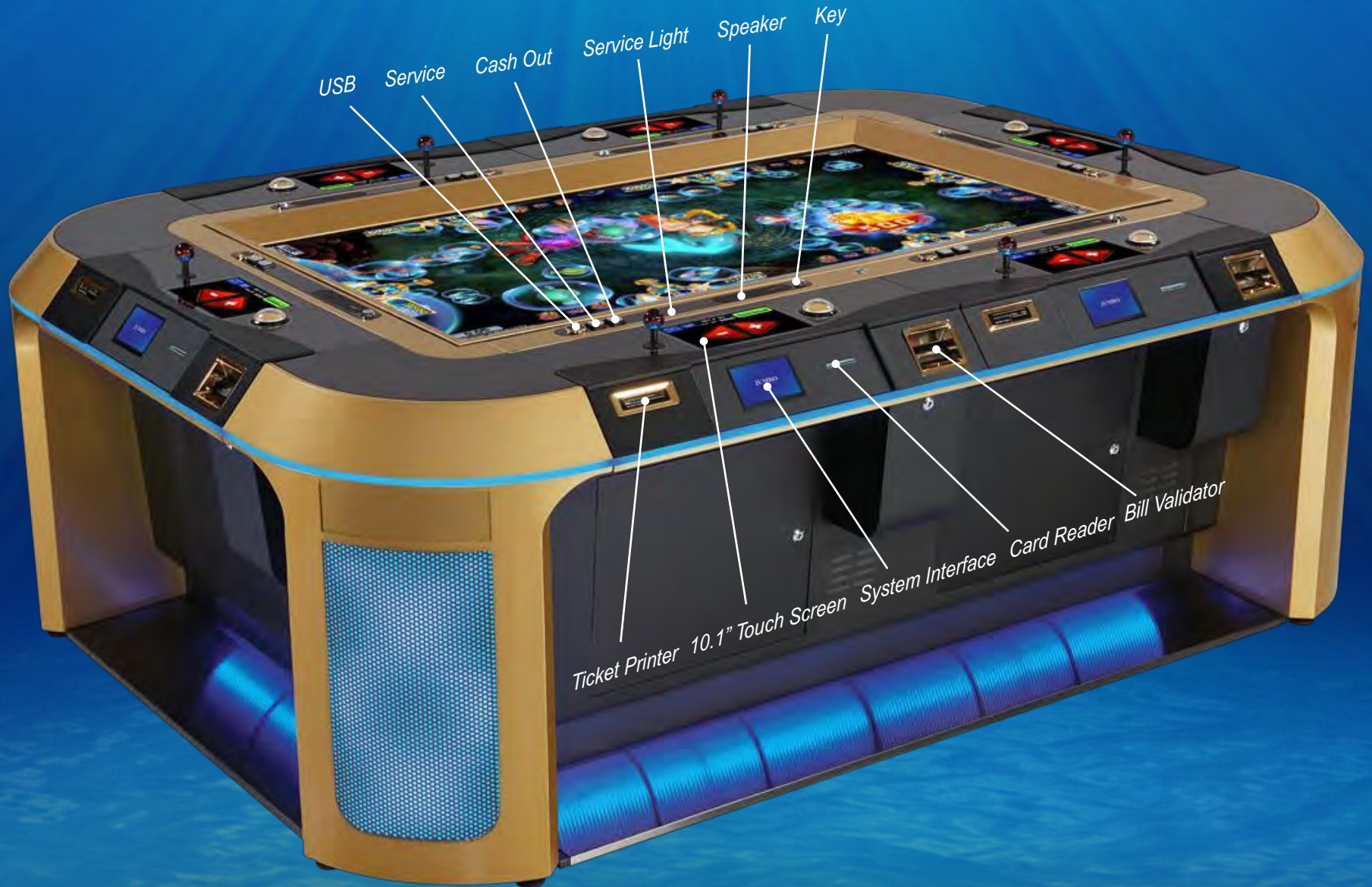
**Gaming Arts, LLC** • 323 Orville Wright Ct. • Las Vegas, Nevada 89119 • Main 702.818.8943 • [GamingArts.com](http://GamingArts.com)

©2021 Gaming Arts, LLC. Numerous cabinets and/or games are patented or patent pending. Trademarks used herein are trademarks of Gaming Arts, LLC or Jumbo Technology Co., Ltd



# ARK-65

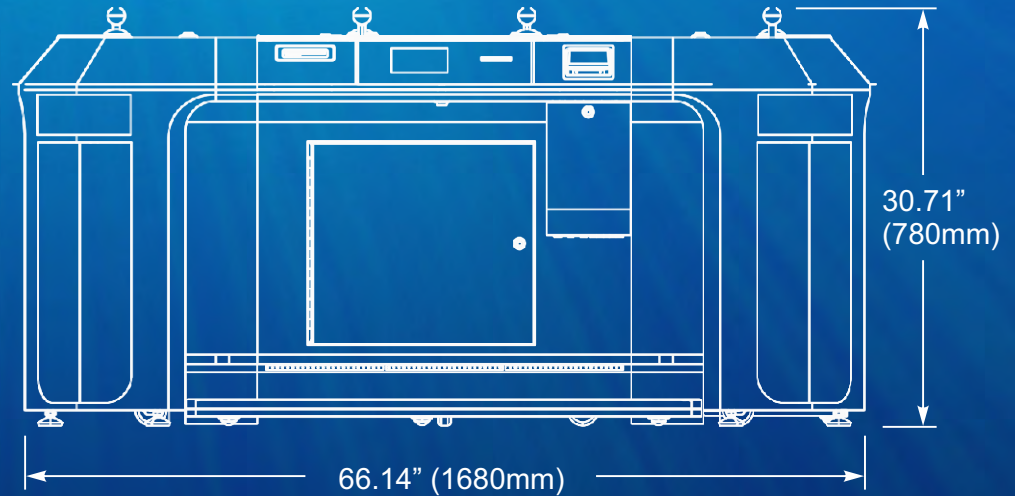
## Six-Seater Cabinet



## TECHNICAL SPECIFICATIONS

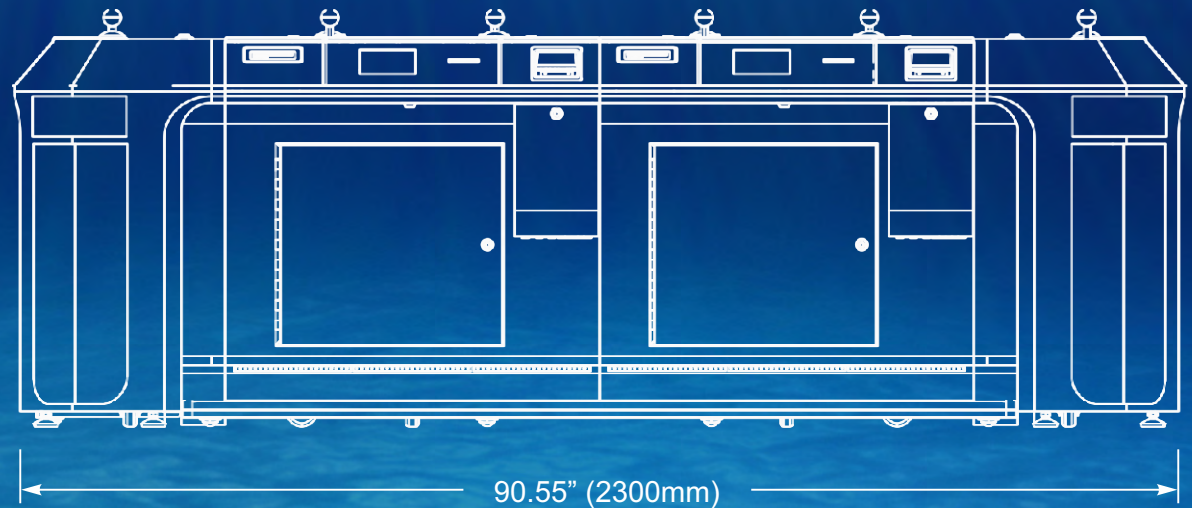
### Technical Specifications

Display: 65" 1920 x 1080 Full HD  
 Touch Screen: 10.1" touch screen panel  
 Audio: Amp 4.1  
 Power Required: 110VAC/220VAC  
 Support Devices: Future Logic, TransAct,  
 JCM,MEI



### Dimensions & Weight

Height: 30.71" (780mm)  
 Length: 90.55" (2300mm)  
 Width: 66.14" (1680mm)  
 Weight: 1,574 lbs. (714Kg)



For further information, contact your Gaming Arts Sales Representative today!